

# Setup Report - 1

Bike Type MTB CX 26" - SPORT

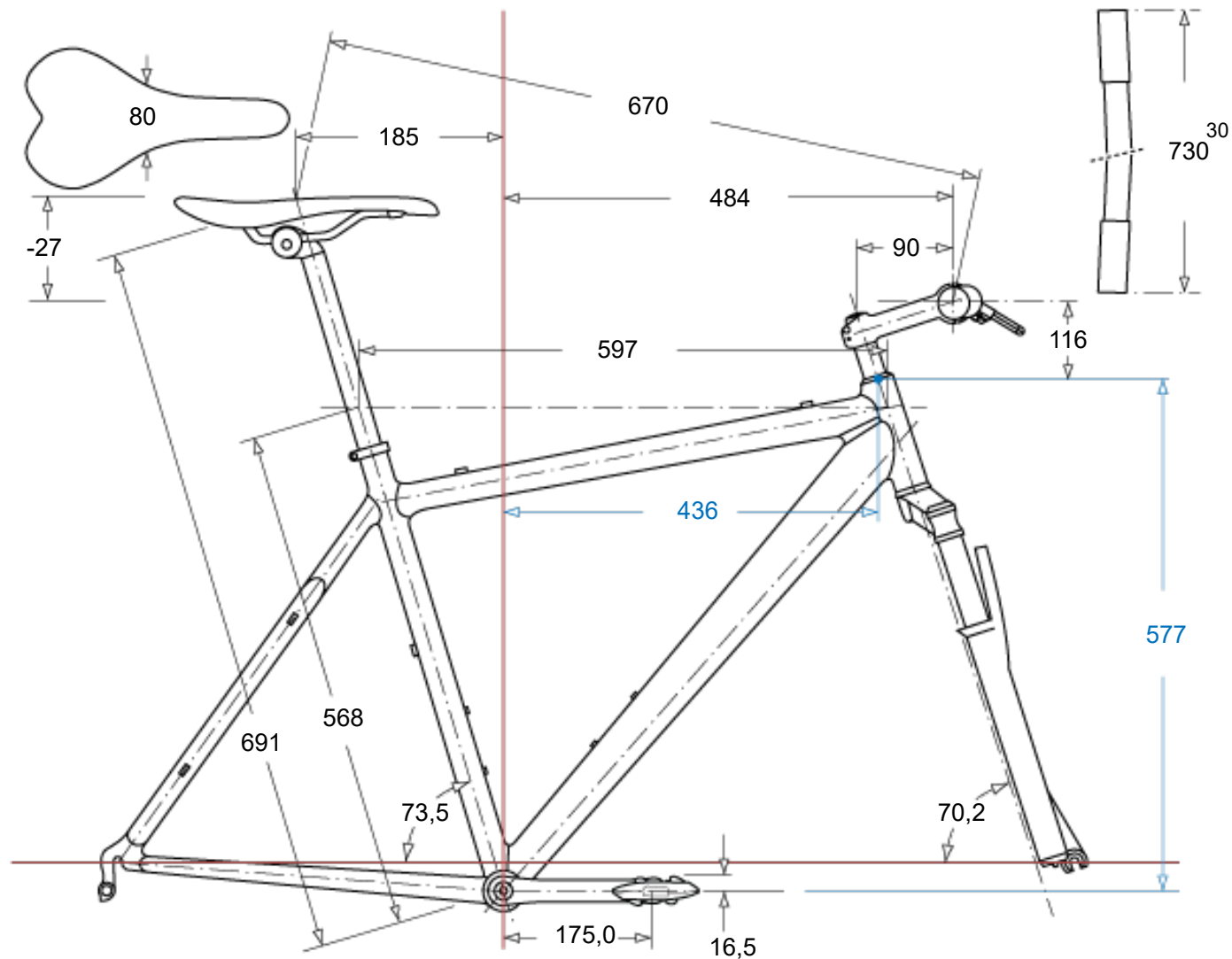
Company Name

PCD SPORT MEDICINE

Customer Name

Date

2021-02-17 11:11



# Setup Report - 2

Bike Type MTB CX 26" - SPORT

Company Name PCD SPORT MEDICINE

Customer Name

Date

2021-02-17 11:11

Description	Original (1)		Bike Setup		crank select (2)		Diff Static = (2)-(1)	
	X	Y	X	Y	X	Y	X	Y
Handlebar Center			484	693	489	688		
Saddle Center			185	666	180	661		

Description	Dynamic Fitting		Pedaling Analysis (4)		Diff MA = (3)-(1)		Diff PA = (4)-(1)	
	X	Y	X	Y	X	Y	X	Y
Handlebar Center	353	748						
Saddle Center	67	756						

